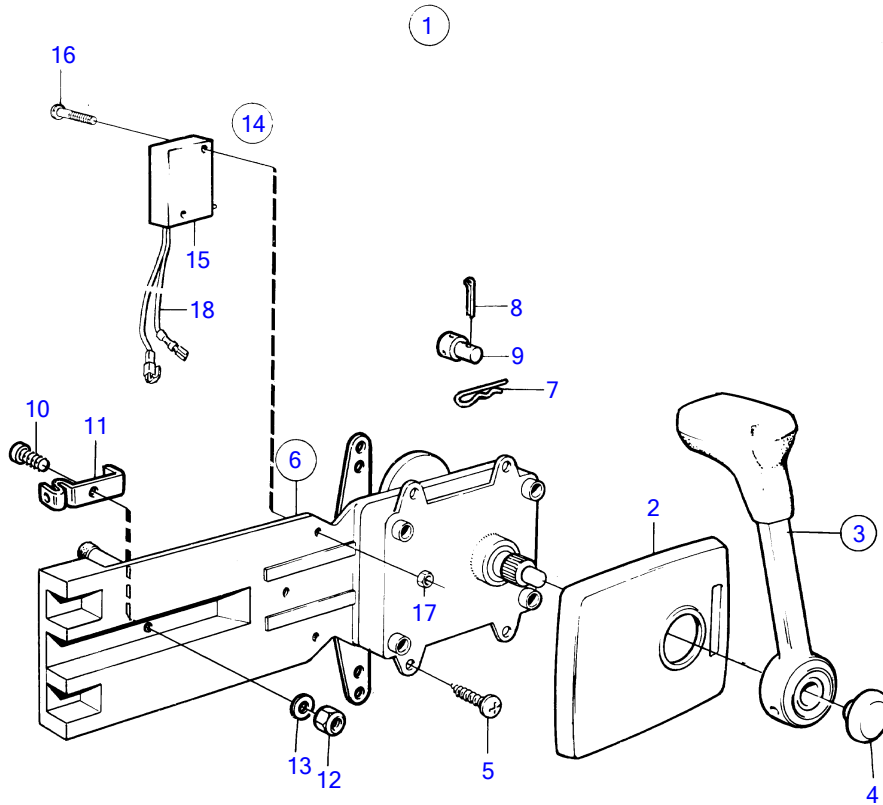


AD31L-A, AD31P-A, AD41L-A, AD41P-A, D41L-A, TAMD31L-A, TAMD31M-A, TAMD31P-A, TAMD31S-A, TAMD41H-A, TAMD41H-B, TAMD41P-A, TAMD41L-A, TAMD41M-A, TMD31L-A, TMD41L-A



9606

AD31L-A, AD31P-A, AD41L-A, AD41P-A, D41L-A, TAMD31L-A, TAMD31M-A, TAMD31P-A, TAMD31S-A, TAMD41H-A, TAMD41H-B, TAMD41P-A, TAMD41L-A, TAMD41M-A, TMD31L-A, TMD41L-A

REF	PART NO.	QTY	DESCRIPTION	SEE SEC.	NOTES
1	853102	1	Mounting kit		Replaced by 1140090
2	1140048	1	• Cover		
3	852347	1	• Hand lever		
			• •		
			•	266	
4	853004	1	• Push button		
5	955142	4	• Cross recessed screw		
6	851601	1	Control		
7	852924	1	• Clip		
8	17253	2	• Split pin		
9	839638	2	• Cube		
10	839664	1	• Screw		
11	853423	1	• Retainer		
12	946435	1	• Lock nut		
13	940275	1	• Washer		
14	855352	1	Neutral position con		
15	850200	1	• Toggle switch		
16	946177	2	• Cross recessed screw		
17	947536	2	• Hexagon nut		
18		X	• electrical materials	1963	